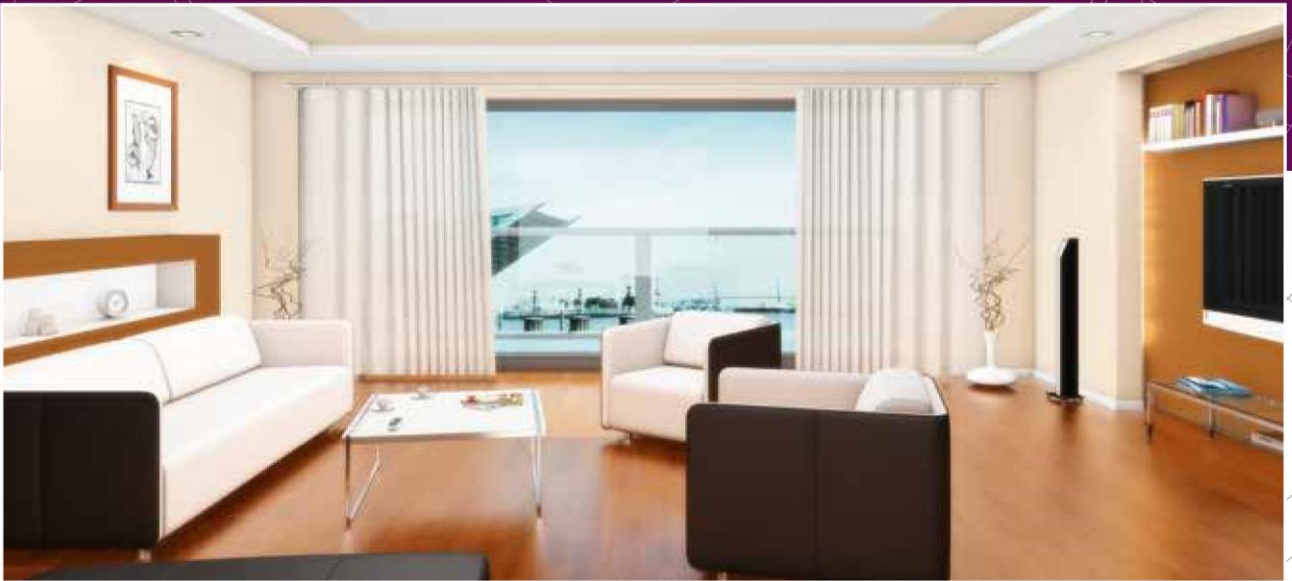


MRS[®]
Motorized Rod System



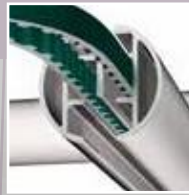
FOREST[®]
DRAPERY HARDWARE

WEAR-RESISTANT PULLEY HOUSING



For a low-wear operation the pulley housing has been equipped with high-quality ball bearings.

REINFORCED TRANSPORT BELT



The Kevlar reinforcement of the transport belt ensures a smooth and silent operation, which provides also for a long life-span.

MOTOR



Two types of motors are available:

- 24V Forest Shuttle with touch impulse
- 230V FMS with 45 or 60 Watt

Motors can transport a curtain up to 70kg.

Tandem motors are used for heavy duty applications where the curtain weighs over 70kg.

REMOTE CONTROL



Easy opening and closing with the hand-held remote control.

Also compatible with building automation systems.

COMPLETELY CLOSED CURTAINS



The overlap carrier guarantees a complete closing of the curtains.

EASY-RUNNING RETURN PULLEY



The special plastic of the return pulley's plain bearing ensures an easy running of the toothed belt.

SELECT YOUR INDIVIDUAL FINIAL



There are 3 different finials available:

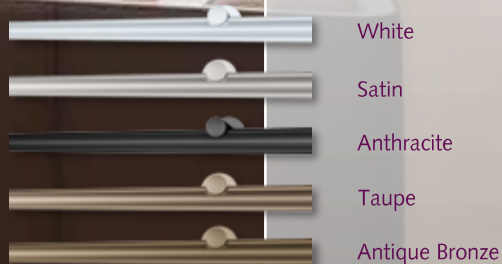
- Finial with 3 grooves
- 70mm Ball Finial
- 60mm Ball Finial

They can be added to the end of the elegant motor pulleys for a more decorative finish.

(Not available in white)

HIGH-GRADE ALUMINIUM

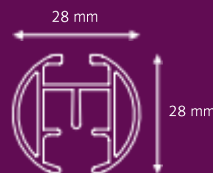
The 28mm motorized Decorative Rods are supplied in the following colours:



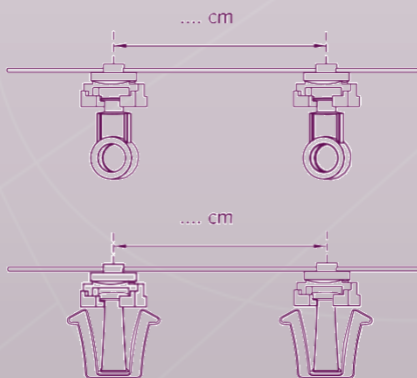


TRACK SPECIFICATIONS

- Weight 480 gr / mtr
- Aluminium Extrusion
- Dimension 28 mm



The Forest Easyfold System[®] is an elegant feature of the drapery hardware systems of Forest Group. It complies fully with the contemporary demand for round and fluent shapes in decorative interiors. The easyfold system is also applicable on the MRS motorized rod system[®] and gives a modern and special folding design to the curtain, guaranteed to be a real eye-catcher in every room.



- 60% = 8,0 cm carrier distance
- 80% = 6,0 cm carrier distance
- Ripple 100 = 6,0 cm carrier distance

Wave depth 10,75 cm or 15,75 cm with Easysnap tape and carriers. Ceiling space required 10,75 cm or 15,75.

Wave depth fully variable with Ripple 100 tape and carriers. Ceiling space required is equal to the spacing between the hook placement in the Ripple 100 tape.

COLOUR CODES ARE AS FOLLOWS:

01 White 03 Satin 04 Taupe-PC 05 Black Anthracite-PC 09 Antique Bronze-PC

MRS TRACK

	5.80 mtr:
WHITE	5701281580
SATIN	5701283580
TAUPE-PC	5701284580-PC
BLACK ANTHRACITE-PC	5701286580-PC
ANTIQUE BRONZE-PC	5701289580-PC

MRS MOTOR PULLEY LEFT

WHITE	5730101000
SATIN	5730108000
TAUPE-PC	5730104000-PC
BLACK ANTHRACITE-PC	5730106000-PC
ANTIQUE BRONZE	5730109000

MRS MOTOR PULLEY RIGHT

WHITE	5730201000
SATIN	5730208000
TAUPE	5730204000-PC
BLACK ANTHRACITE-PC	5730206000-PC
ANTIQUE BRONZE	5730209000

MRS RETURN PULLEY LEFT

WHITE	5730111000
SATIN	5730118000
TAUPE	5730114000-PC
BLACK ANTHRACITE-PC	5730116000-PC
ANTIQUE BRONZE	5730119000

MRS RETURN PULLEY RIGHT

WHITE	5730121000
SATIN	5730128000
TAUPE	5730124000-PC
BLACK ANTHRACITE-PC	5730126000-PC
ANTIQUE BRONZE	5730129000

CRS WALL BRACKET

Length: 12 cm	582012.28
	10/box
Colours: 01, 03, 04, 05, 09	

CRS WALL BRACKET

Length: 16 cm	582016.28
	2/box
Colours: 01, 03, 04, 05, 09	

CRS WALL BRACKET EXTENSION

Length: 8 cm	58151..020
	2/box
Colours: 03, 09	

CRS ADJUSTABLE BRACKET EXTENDER

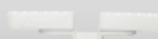
White	5815101070	10/box
Satin	5815103070	
Antique Bronze	5815109070-PC	

CEILING SUSPENSION BRACKET

10 cm bracket	58180.2028
	2/box
Colours: 01, 03, 05, 09	

CEILING SUSPENSION BRACKET

5 cm bracket	58181.2028
	2/box
Colours: 01, 03, 09	

RDS/MRS CONNECTOR

Connects the Master Carrier with the transport belt.	4805711500
	25/box

FES TAPE



normal white	481090000
	91,44 mtr / roll
heavy-duty white	481090010
	91,44 mtr / roll
normal black	481080000
	91,44 mtr / roll
transparent	481070000
	91,44 mtr / roll

FES BASE



80% white	4812001080
	500 pcs / roll
100% white	4812001100
	500 pcs / roll
80% black	4812006080
	500 pcs / roll
100% black	4812006100
	500 pcs / roll

RIPPLE 100 TAPE



77mm width	2190377000
Transparent	100 mtr / roll

RIPPLE 100 HOOK



White	500 pcs / box
	4812801000
black	4512806000

FMS MASTER CARRIER UNDERLAP



Multifunctional - arm is reversible for Click on stiffner	15/box
White	5215801010
Black	5215806010

FMS MASTER CARRIER OVERLAP



Multifunctional - arm is reversible for Click on stiffner	15/box
White	5215901010
Black	5215906010