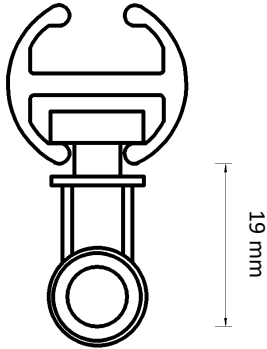
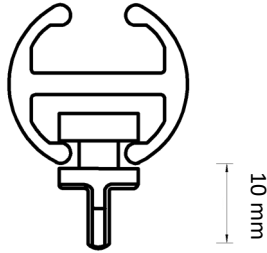
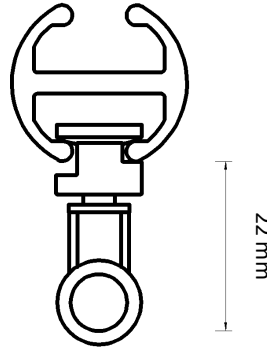
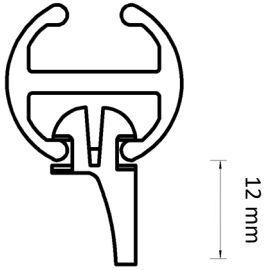
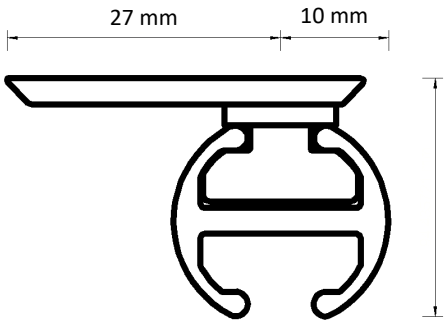


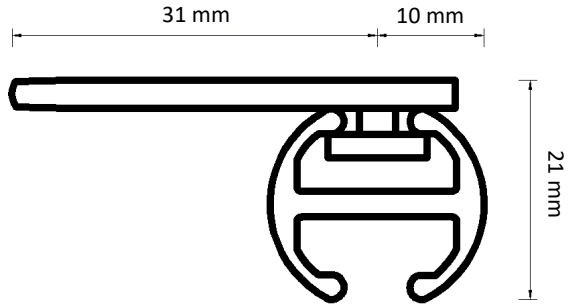
20 mm

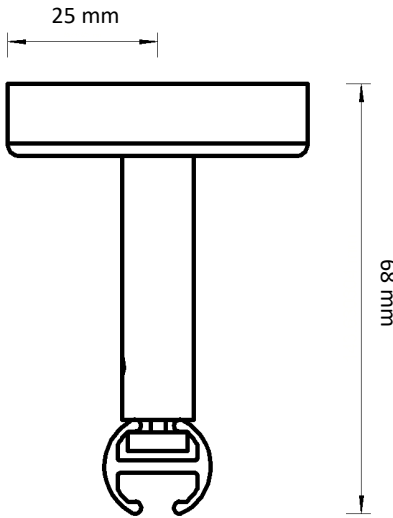
Dimensions illustrated:

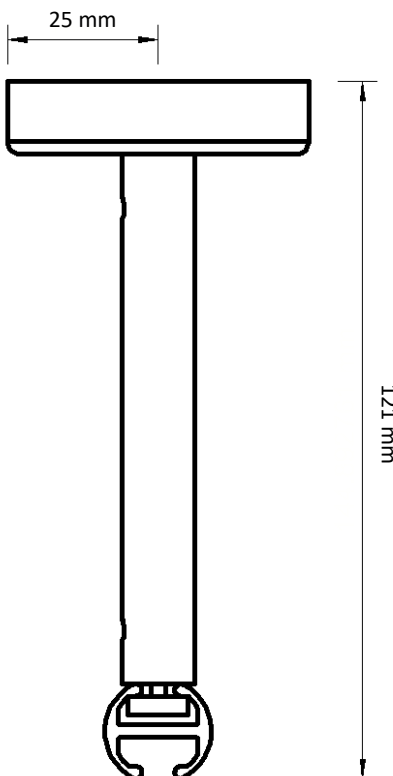
- Height from bottom of carrier hole to bottom of track
- Height of bracket
- Length from back of bracket to centre of track
- Length from centre of track to front of bracket
- Height from bottom of track to top of bracket

 <p>19 mm</p> <p>Easyfold</p>	 <p>10 mm</p> <p>Ripple 100</p>	 <p>22 mm</p> <p>Smart Klick</p>	 <p>12 mm</p> <p>Standard</p>
---	--	--	--

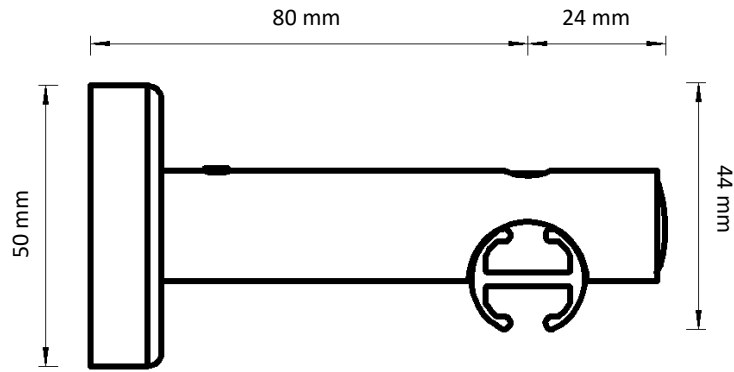
<p>CRS Ceiling Bracket</p>  <p>27 mm 10 mm</p> <p>23 mm</p>
--

<p>CRS Ceiling Bracket with Hole</p>  <p>31 mm 10 mm</p> <p>21 mm</p>

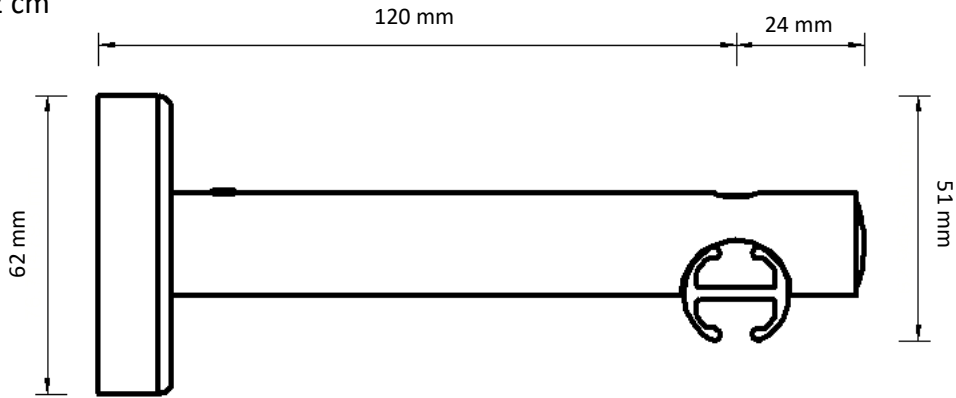
<p>CRS Ceiling Suspension Bracket 5 cm</p>  <p>25 mm</p> <p>68 mm</p>
--

<p>CRS Ceiling Suspension Bracket 10 cm</p>  <p>25 mm</p> <p>121 mm</p>
--

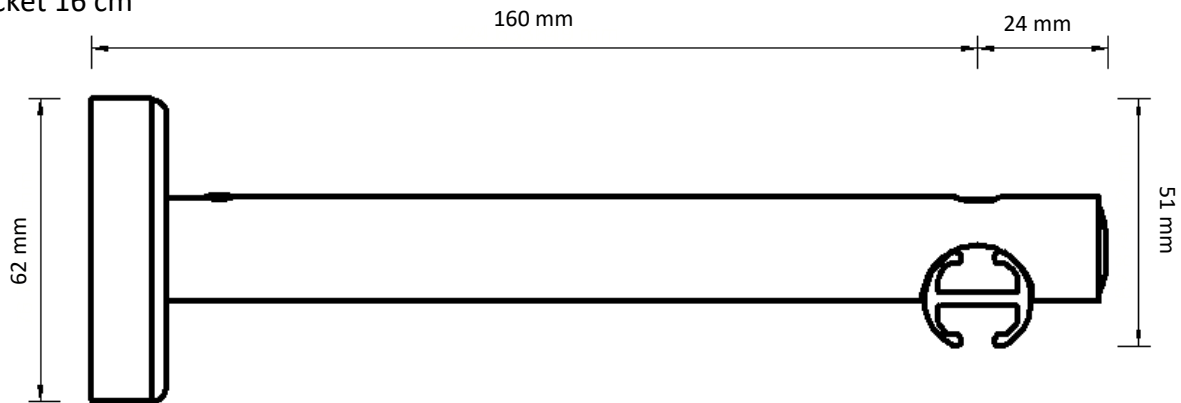
CRS Wall Bracket 8 cm



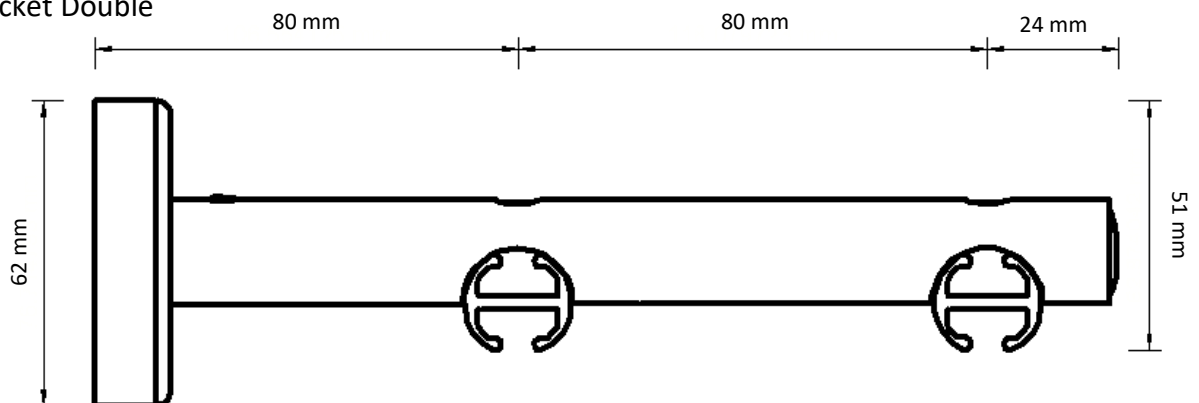
CRS Wall Bracket 12 cm



CRS Wall Bracket 16 cm



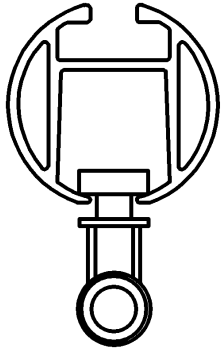
CRS Wall Bracket Double



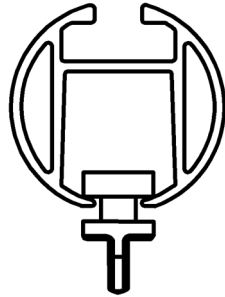
28 mm

Dimensions illustrated:

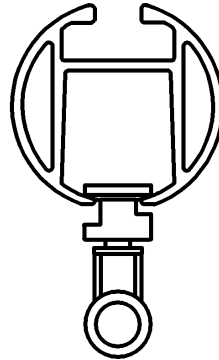
- Height from bottom of carrier hole to bottom of track
- Height of bracket
- Length from back of bracket to centre of track
- Length from centre of track to front of bracket
- Height from bottom of track to top of bracket



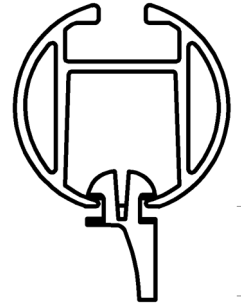
Easyfold



Ripple 100

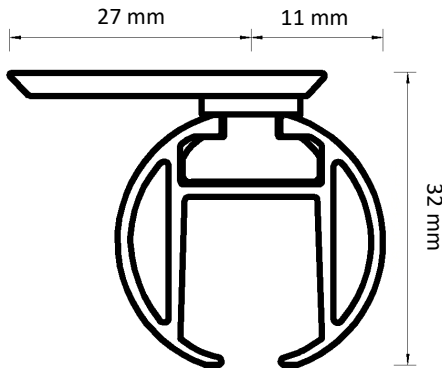


Smart Klick

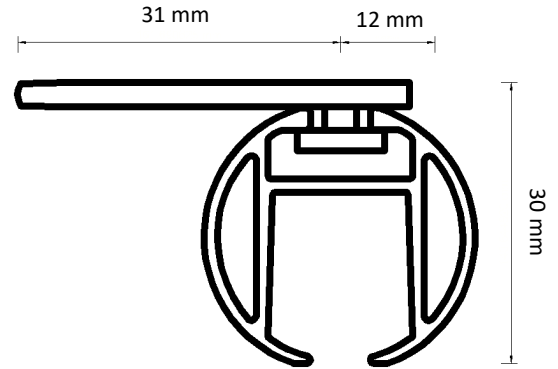


Standard

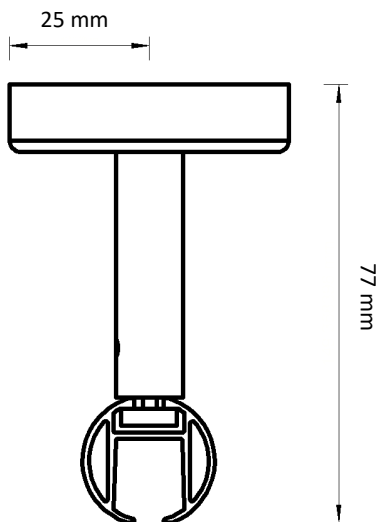
CRS Ceiling Bracket



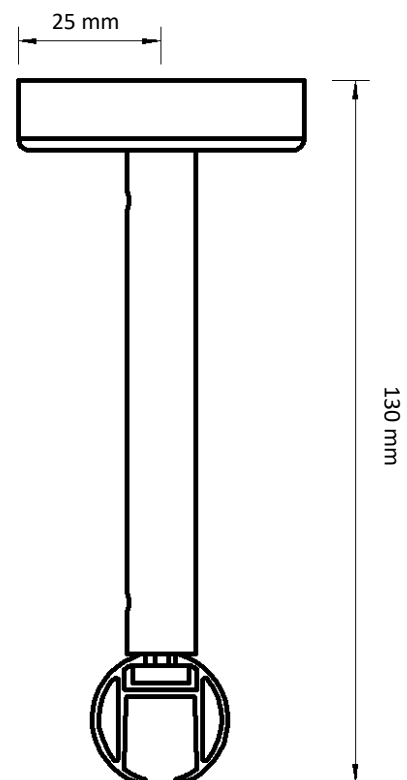
CRS Ceiling Bracket with Hole



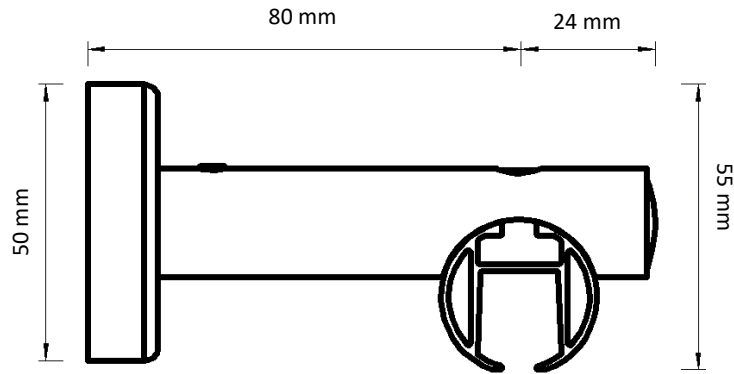
CRS Ceiling Suspension Bracket 5 cm



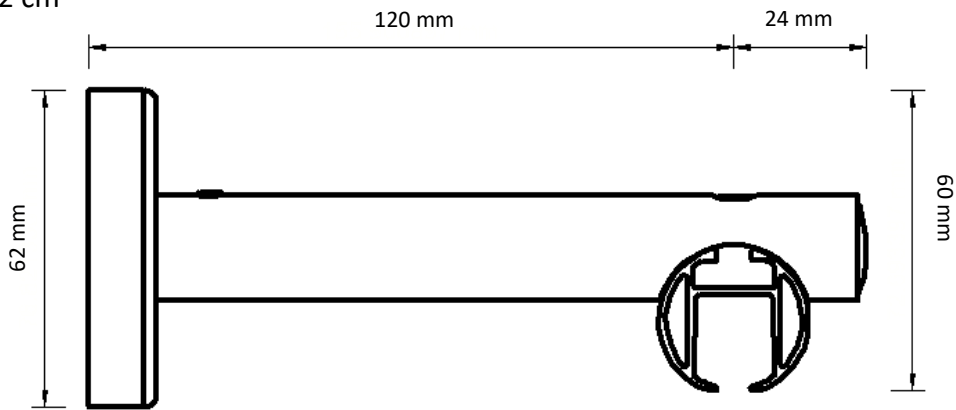
CRS Ceiling Suspension Bracket 10 cm



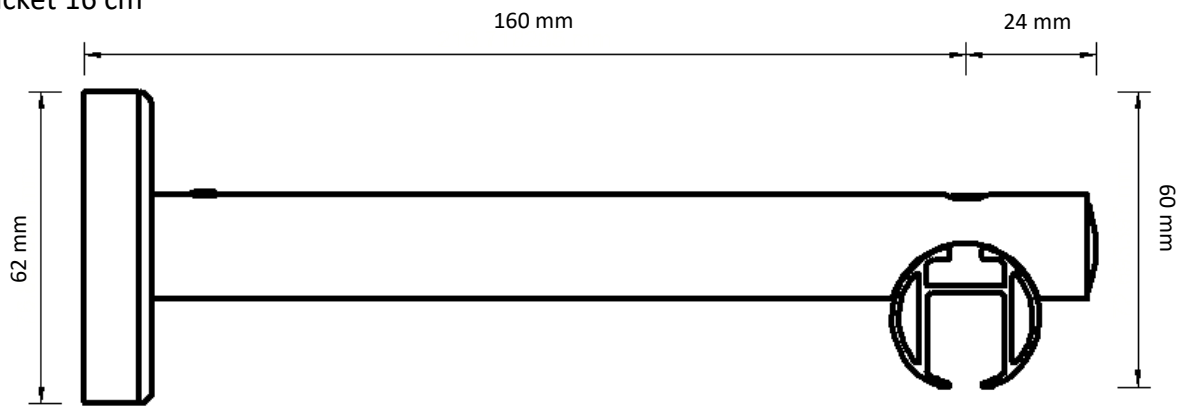
CRS Wall Bracket 8 cm



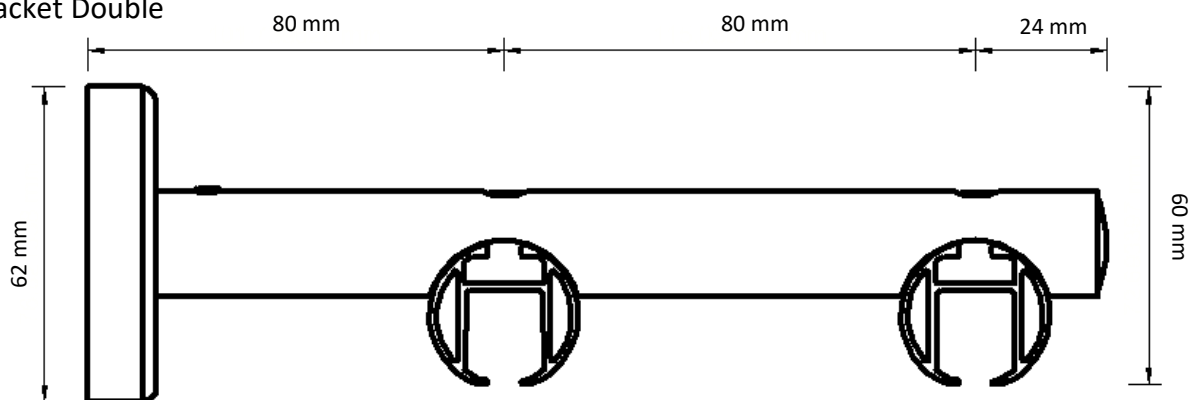
CRS Wall Bracket 12 cm



CRS Wall Bracket 16 cm



CRS Wall Bracket Double



CRS Wall Bracket Double 20/28 mm

